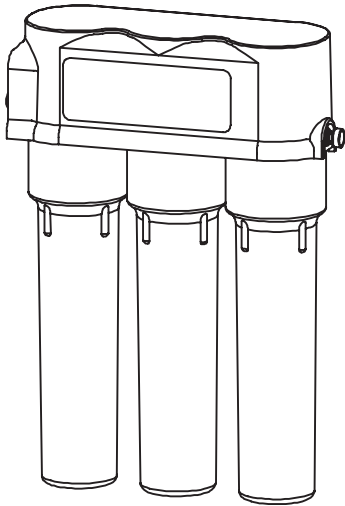
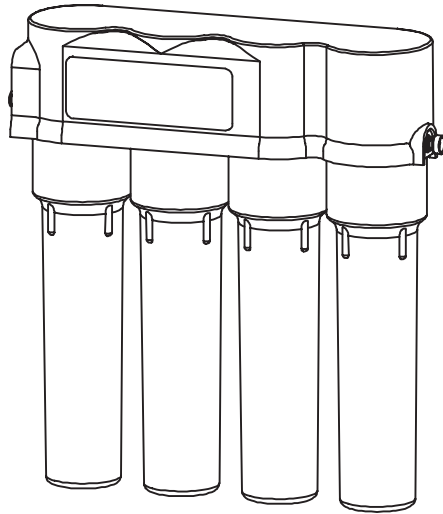


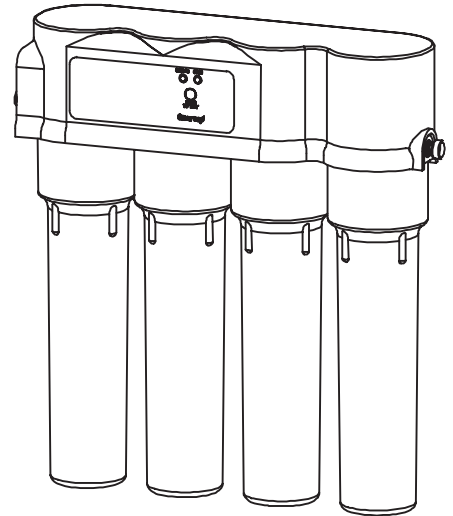
Replacement Instructions: 1240



1240-1



1240-2



1240-3

DIRECTIONS FOR CHANGING FILTERS

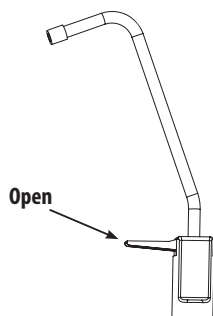
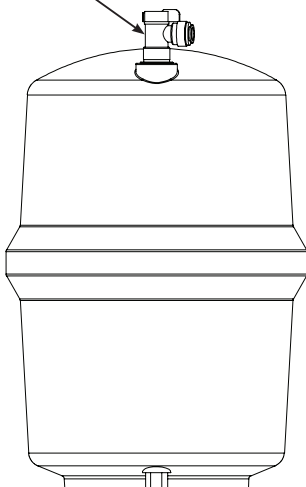
HOW OFTEN YOU CHANGE YOUR FILTERS VARIES ON THE QUALITY OF WATER COMING TO THE RO AND THE AMOUNT OF WATER PRODUCED BY THE RO. THE RO FILTERS SHOULD BE CHANGED AT LEAST EVERY YEAR, BUT IF WATER QUALITY IS LOW OR HIGHER AMOUNTS OF WATER ARE USED, IT IS RECOMMENDED THAT THEY BE CHANGED MORE OFTEN. FILTERS CANNOT BE CHANGED TOO OFTEN.

PRE FILTERS:

1. Turn off cold water supply and valve on top of storage tank. Wait for pressure to bleed off.
2. Unscrew housing from cap, discard used cartridge and remove o-ring. Clean housing with hot water and 1 tablespoon of bleach. Rinse thoroughly.
3. Wipe o-ring clean and place back in groove. Make sure the o-ring is properly seated when installing.
4. Insert replacement cartridge. Screw housing onto cap and tighten.
5. Turn on water and check for leaks.

Close Tank:

Shut Off Valve



TURN OFF THE WATER SUPPLY

